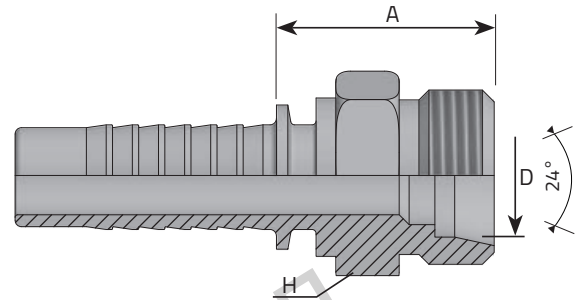




## METRIC MALE 24° CONE - L TYPE (1)

MASCHIO METRICO 24° DKOL  
 MÂLE MÉTRIQUE CÔNE 24° - SÉRIE L  
 CEL 24° KONUS METRISCH  
 MACHO MÉTRICO CONO 24° - SERIE L



Code	Tube		Thread		Dimensions			Pressure	
	D.N.	Hose	Diam	T	D	H	A	Bar	Psi
	Inch		mm	mm	mm	mm	mm		
ME0312L6	-3	3/16"	4.8	M12 x 1.5	6	14	22.5	250	3626
ME0314L8	-3	3/16"	4.8	M14 x 1.5	8	15	23	250	3626
ME0412L6	-4	1/4"	6.4	M12 x 1.5	6	14	23	250	3626
ME0414L8	-4	1/4"	6.4	M14 x 1.5	8	15	23	250	3626
ME0416L10	-4	1/4"	6.4	M16 x 1.5	10	17	25	250	3626
ME0418L12	-4	1/4"	6.4	M18 x 1.5	12	19	26	250	3626
ME0514L8	-5	5/16"	7.9	M14 x 1.5	8	15	23	250	3626
ME0516L10	-5	5/16"	7.9	M16 x 1.5	10	17	25	250	3626
ME0518L12	-5	5/16"	7.9	M18 x 1.5	12	19	26	250	3626
ME0616L10	-6	3/8"	9.5	M16 x 1.5	10	17	25	250	3626
ME0618L12	-6	3/8"	9.5	M18 x 1.5	12	19	25	250	3626
ME0622L15	-6	3/8"	9.5	M22 x 1.5	15	24	27	250	3626
ME0818L12	-8	1/2"	12.8	M18 x 1.5	12	22	26	250	3626
ME0822L15	-8	1/2"	12.8	M22 x 1.5	15	24	27.5	250	3626
ME0826L18	-8	1/2"	12.8	M26 x 1.5	18	27	27.5	160	2320
ME1026L18	-10	5/8"	16	M26 x 1.5	18	27	27.5	160	2320